



Barcode: 5060452081748

fittingstor™

Product code: FC6

- » Secure cabinet ideal for storing fixtures and fittings.
- » Perforated design for easy identification of contents.
- » Strong ergonomic handle making it easy to move.



Watch the FittingStor in action



Product features



2x 5-lever deadlock



Heavy-duty 6" castors



Forklift skids



Suitable for site

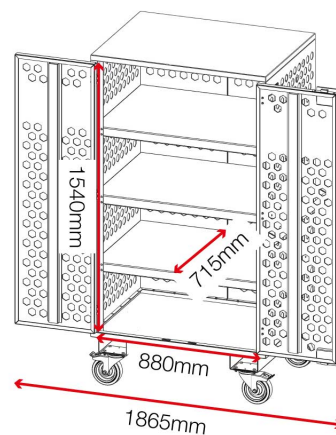
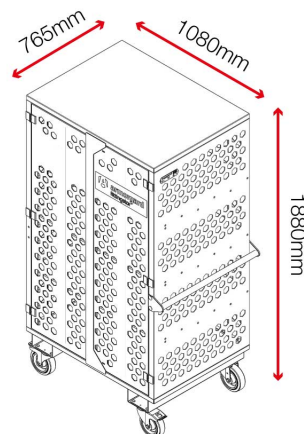


Built in handles

Product specifications

Weight	113kg
Colour	Black grey: RAL 7021
Suitable for	Site
Finished coating	Powder coated
Material & thickness	1mm and 2mm steel
Quantity of keys	3 keys
Suitable for vehicle mounting	No
How are castors fitted?	Quick-fix bolt on castor kit
Other sizes available	4 other sizes
Qty of shelves as standard	3 fixed shelves

Dimensions



Optional extras - Contact Armorgard to find out more



Fittings bins FCB