

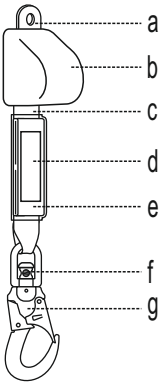
A



CE 0082  
EN 360:2002

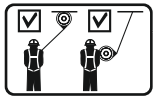
# ROLEX 7 REF. AH 240

B



C

- ROLEX 7 \_\_\_\_\_ 1
- REF AH 240 \_\_\_\_\_ 2
- mm/yyyy \_\_\_\_\_ 3
- SN xxxxxxxx \_\_\_\_\_ 4
- .... m \_\_\_\_\_ 5
- FORCE \_\_\_\_\_ 6
- EN 360:2002 \_\_\_\_\_ 7
- CE 0082 \_\_\_\_\_ 8



EN - WARNING: Before using this equipment, read and understand this user manual. Work requiring the use of this equipment is hazardous. The user is obligated to follow these instructions and is responsible for the proper use of their equipment. Improper use of the equipment can result in injury or death. If you have any difficulties understanding the user manual, contact the equipment manufacturer.

### A. DESCRIPTION

The ROLEX 7/AH 240 self-retracting fall arrester is a component of personal fall protection equipment compliant with EN 360:2002. The device meets the requirements of Regulation 2016/425. The self-retracting fall arrester provides protection for one person. For vertical use only. The permissible user weight is from 50 kg to 140 kg. The maximum length of the device is 2.3 m.

### B. CONSTRUCTION

- a. Device holder for connecting to the anchor point.
- b. Retracting and braking mechanism in the housing.
- c. Polyester work strap.
- d. Device feature.
- e. Device shock absorber.
- f. Load indicator.
- g. Webbing connector equipped with a swivel.

### C. DEVICE MARKING

1. Device type
2. Catalog number
3. Month and year of manufacture
4. Device serial number
5. Device length
6. Device manufacturer's marking
7. European standard number and year
8. CE mark and number of the notified body responsible for monitoring the device's production process
9. Before use, read and understand the instructions.
10. Use the device anchored above the user.
11. Maximum permissible deviation of the device's rope from the vertical: 40°.
12. The device can be attached to the user's harness using the webbing connector, and the device mechanism to the anchor point. The device can be connected in the reverse configuration: the mechanism to the harness, and the webbing connector to the anchor point.
13. Do not use the device with a load on its edge.
14. Working load range: minimum 50 kg to maximum 140 kg.

### D. INSPECTION BEFORE USE

D.1 Before each use, the user must thoroughly inspect the device's components: device housing, connector, handle, and working rope (along its entire length) for mechanical, chemical, and thermal damage.

D.1.1 The device is equipped with a load indicator located in the swivel of the working webbing connector. Do not use the device without a load indicator or if there is significant play between the swivel and the connector body.

D.2 The operation of the retracting and braking mechanism should also be checked by dynamically pulling on the working webbing. The webbing should lock and stop unwinding. After releasing the webbing, it should retract freely into the device. The inspection and check must be performed by the person using the device. If any defects or doubts regarding the correct condition and operation of the device occur, it must be withdrawn from use immediately. During use, protect all device components from contact with oils, solvents, acids and alkalis, open flames, hot metal splashes, and sharp-edged objects. When working on lattice structures, avoid intertwining the work rope between individual structural elements. Do not use the device loaded on an edge. Avoid using the device in very dusty or oily environments.

### E. ATTACHING THE SELF-RETRACTABLE FALLARRESTERS TO AN ANCHOR POINT

The device must be connected to the anchor point only through the device's handle using a connector compliant with EN 362 (E.1). The device can be connected directly to the anchor point using a connector (E.2). The use of an additional Type B anchor device compliant with EN 795 (E.3) is permitted. The point of the fixed structure must have a minimum static strength of 10 ... 12 kN. The shape and design of the anchor point must prevent spontaneous disconnection or slippage of the device (E.4). It is recommended to use marked and certified anchor points compliant with EN 795.

### F. ATTACHING THE WORKING STRAPS OF A SELF-RETRACTABLE DEVICE TO A FULL HARNESS

The work sling connector should only be connected to the front or rear harness attachment point marked with the letter A (F.1). The device may be attached to the user's harness and the sling to the anchor point (F.2). Ensure that the connector is properly closed and locked. The full body harness must comply with EN 361.

### G. ANCHORAGE POINT REQUIREMENTS

The self-retracting fall arrester must be installed above the user. If the device is installed vertically above the user, the minimum clearance below the work area should be 1.80 m. If the work strap of the self-retracting fall arrester is tilted from the vertical, an unfavorable "pendulum effect" occurs during fall arrest. To minimize this effect, the webbing of the device should not be tilted from the vertical at an angle greater than 40°. To maintain this safe working condition, the user should not move horizontally from the device by a distance "l" no greater than 1/2 the device height above the work level "v." In this case, the clear space below the work level should be 1.80 m + horizontal distance "l."

### H. PERIODIC INSPECTIONS

A periodic inspection of the device should be performed at least once every 12 months of use, starting from the date of first use. Periodic inspections may only be performed by a competent person with appropriate knowledge and training in periodic inspections of personal protective equipment. The conditions of use of the device may affect the frequency of periodic inspections, which may be performed more frequently than once every 12 months of use. Each periodic inspection must be recorded in the device's user card.

### I. MAXIMUM USEFUL LIFE

The device can be used for 10 years from the date of manufacture.

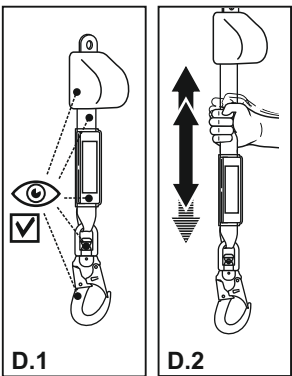
### J. REMOVAL FROM USE

The device must be immediately withdrawn from use and destroyed (permanently destroyed) if it has been used to arrest a fall, fails periodic inspection, or if there are any doubts regarding its reliability.

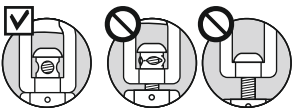
### K. THE ESSENTIAL PRINCIPLES FOR USERS OF PERSONAL PROTECTIVE EQUIPMENT AGAINST FALLS FROM A HEIGHT:

- PPE shall only be used by personnel trained in its operation.
- PPE shall not be used by individuals with any health condition that may affect their safety during regular use or in an emergency.
- Prepare an emergency response plan that can be implemented at work when needed.
- While suspended using PPE (e.g. after arresting a fall), mind that there can be injury from suspension.
- To avoid adverse effects of suspension, ensure that an appropriate emergency rescue plan is ready for use. The use of positioning straps is recommended.
- Never attempt to modify the fall arrester without prior written consent from the manufacturer.
- Any repair of the fall arrester shall only be carried out by its manufacturer or its authorised

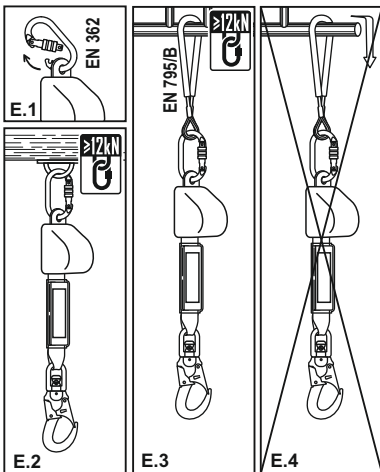
D



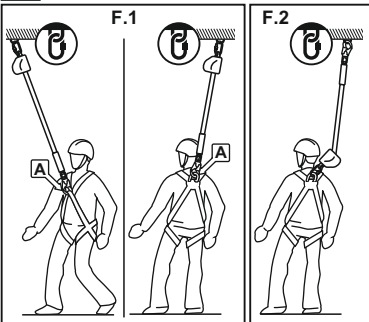
D.1.1



E



F



G

