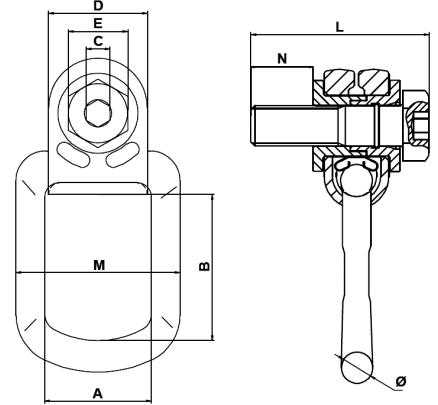


## G100 Swivel Load Ring

- Swivel Load Ring
- Safety Coefficient for loading in all directions
- Ideal for fastening at 90°
- Thread diameters from 8mm - 36mm
- Supplied fully tested & certified



Product Code	WLL/T	B.L/T	A mm	B mm	C mm	D mm	E mm	M mm	L mm	N mm	Ø mm	Weight (kg)
G10-SWIV-RING-M8	0.30	1.20	35	50.5	6	30	13	45	46	10.4	14	0.30
G10-SWIV-RING-M10	0.63	2.52	35	50.5	6	30	17	45	52	15.4	14	0.38
G10-SWIV-RING-M12	1.00	4.00	40	48	8	36	19	68	62	18	18	0.86
G10-SWIV-RING-M14	1.20	4.80	40	48	8	36	19	68	66	21	18	0.89
G10-SWIV-RING-M16	1.50	6.00	40	48	8	36	19	68	70	24	18	0.90
G10-SWIV-RING-M18	2.00	8.00	54	74	12	50	30	83	83	26	16	1.75
G10-SWIV-RING-M20	2.50	10.00	54	74	12	50	30	83	88	30	16	1.85
G10-SWIV-RING-M24	4.00	16.00	54	88	14	50	36	83	95	37	18	1.95
G10-SWIV-RING-M27	4.00	16.00	73	106	17	68	41	120	120	38	27	4.40
G10-SWIV-RING-M30	5.00	20.00	73	106	17	68	41	120	132	48	27	4.40
G10-SWIV-RING-M36	7.00	28.00	73	106	17	68	41	120	142	54	27	7.50



Product Code	Size	0° 1 Leg	0° 2 Leg	90° 1 Leg	90° 2 Leg	0°-45° 2 Leg	45°-60° 2 Leg	Asimm	0°-45° 3-4 Leg	45°-60° 3-4 Leg	Asimm	Torque Setting (Nm)
G10-SWIV-RING-M8	M8	0.30	0.60	0.30	0.60	0.42	0.30	0.30	0.63	0.45	0.30	30
G10-SWIV-RING-M10	M10	0.63	1.26	0.63	1.26	0.88	0.63	0.63	1.32	0.95	0.63	60
G10-SWIV-RING-M12	M12	1.00	2.00	1.00	2.00	1.40	1.00	1.00	2.10	1.50	1.00	100
G10-SWIV-RING-M14	M14	1.20	2.40	1.20	2.40	1.68	1.20	1.20	2.52	1.80	1.20	120
G10-SWIV-RING-M16	M16	1.50	3.00	1.50	3.00	2.10	1.50	1.50	3.15	2.25	1.50	150
G10-SWIV-RING-M18	M18	2.00	4.00	2.00	4.00	2.80	2.00	2.00	4.20	3.00	2.00	200
G10-SWIV-RING-M20	M20	2.50	5.00	2.50	5.00	3.50	2.50	2.50	5.25	3.75	2.50	250
G10-SWIV-RING-M24	M24	4.00	8.00	4.00	8.00	5.60	4.00	4.00	8.40	6.00	4.00	400
G10-SWIV-RING-M27	M27	4.00	8.00	4.00	8.00	5.60	4.00	4.00	8.40	6.00	4.00	400
G10-SWIV-RING-M30	M30	5.00	10.00	5.00	10.00	7.00	5.00	5.00	10.50	7.50	5.00	500
G10-SWIV-RING-M36	M36	7.00	14.00	7.00	14.00	9.80	7.00	7.00	14.70	10.40	7.00	700