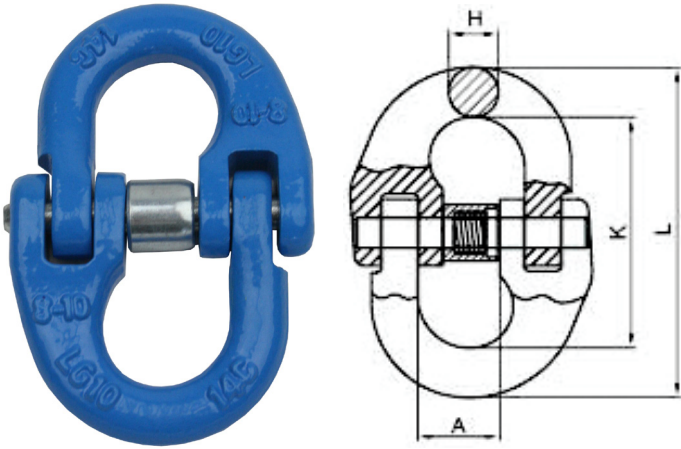


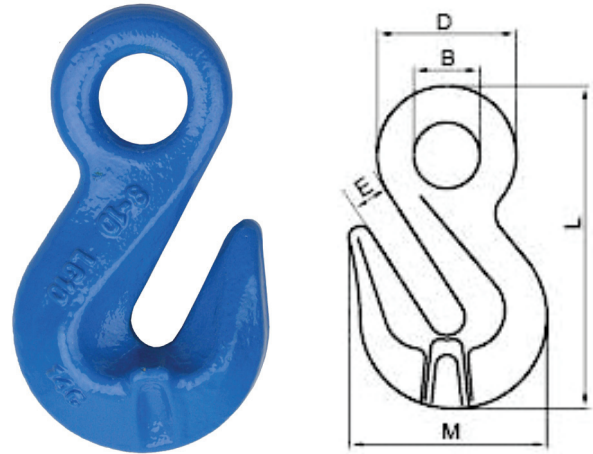
Grade 100 Lifting Components

G100 Connector



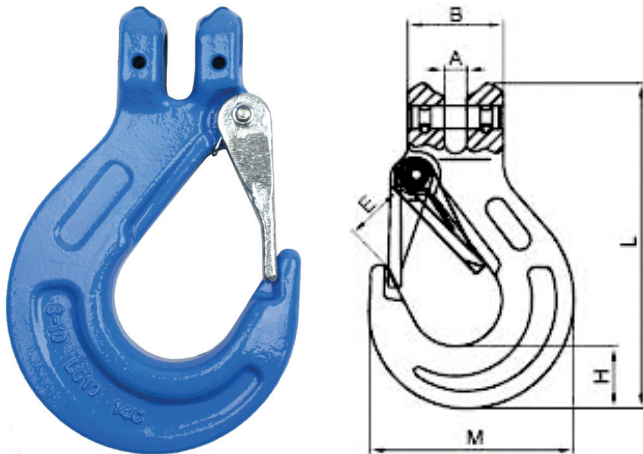
Product Code	Size (mm)	WLL Tons	H mm	A mm	K mm	L mm	NW kg
CC-G10-6	6	1.4	7.6	14	44.5	60	0.08
CC-G10-8	8	2.5	10	18.5	61.5	84.5	0.18
CC-G10-10	10	4	12.6	23	72	97.2	0.34
CC-G10-13	13	6.7	16.8	27.5	89	127	0.68

G100 Eyegrab Hook



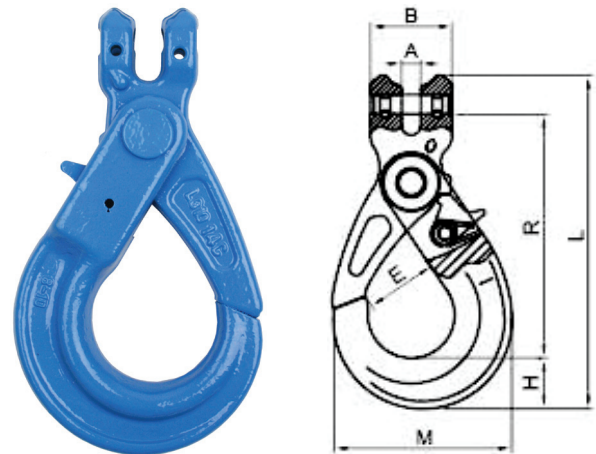
Product Code	Size (mm)	WLL Tons	E mm	B mm	D mm	M mm	L mm	NW kg
EGH-G10-6	6	1.4	8	14.5	30.5	43.5	71	0.20
EGH-G10-8	8	2.5	10.8	18	37	53	91.5	0.28
EGH-G10-10	10	4	13.5	22.5	48.5	72	127.5	0.72
EGH-G10-13	13	6.7	16.5	28	59	96	163	1.60

G100 Clevis Sling Hook With Latch



Product Code	Size mm	WLL Tons	A mm	B mm	E mm	H mm	M mm	L mm	NW kg
CLH-G10-6	6	1.4	7.5	32	18.5	21	68.5	109	0.33
CLH-G10-8	8	2.5	9.5	37	25	27.5	88	134	0.70
CLH-G10-10	10	4	12	48	28	33.5	105.5	161.5	1.30
CLH-G10-13	13	6.7	15	59	38	42	135	203	2.30

G100 Clevis Self Locking Hook



Product Code	Size mm	WLL Tons	A mm	B mm	E mm	H mm	R mm	M mm	L mm	NW kg
CSH-G10-6	6	1.4	7.5	32	28	20	96	70	131	0.50
CSH-G10-8	8	2.5	9.5	36	35.5	26	123	90	166	0.90
CSH-G10-10	10	4	12	46	45	30	144	109	196.5	1.60
CSH-G10-13	13	6.7	15	59	53.5	40.5	182	138.5	251	2.90