

Crane forks model TKG vh

Capacity 1000 - 5000 kg

These crane forks are equipped with adjustable tines and height adjustability. The balancing system engages when the shackle is manually hooked into the appropriate notch.

Features

- All crane forks comply with the latest standards and CE-directives.
- Safety factor 4:1
- Maintenance-free
- Highly visible safety colour
- For the transport of rings or coils, the fork tines are simply pushed together.
- Easily adjustable tines for all pallet sizes.

Scope of delivery

Chain for load securing

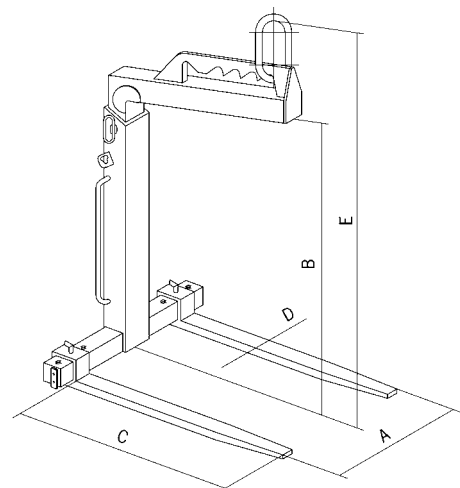


INFO

The load must not exceed the fork length.

Technical data model TKG vh

| Model | EAN-No. 4025092* | Capacity kg | Weight kg |
|------------|---------------------|----------------|--------------|
| TKG 1,0 vh | *552370 | 1000 | 128 |
| TKG 1,5 vh | *551052 | 1500 | 148 |
| TKG 2,0 vh | *554756 | 2000 | 193 |
| TKG 3,0 vh | *551564 | 3000 | 248 |
| TKG 5,0 vh | *554763 | 5000 | 388 |



Dimensions model TKG vh

| Model | TKG 1,0 vh | TKG 1,5 vh | TKG 2,0 vh | TKG 3,0 vh | TKG 5,0 vh |
|---------------------------|-------------|-------------|-------------|-------------|-------------|
| Adjustment of tines A, mm | 350 - 900 | 350 - 900 | 400 - 900 | 450 - 900 | 500 - 1000 |
| Usable height B, mm | 1100 - 1600 | 1300 - 2000 | 1300 - 2000 | 1300 - 2000 | 1300 - 2000 |
| Length of tines C, mm | 1000 | 1000 | 1000 | 1000 | 1000 |
| Section of tines D, mm | 100x30 | 100x40 | 120x40 | 120x50 | 150x60 |
| Overall height E, mm | 1390 - 1890 | 1600 - 2300 | 1640 - 2340 | 1670 - 2370 | 1700 - 2400 |