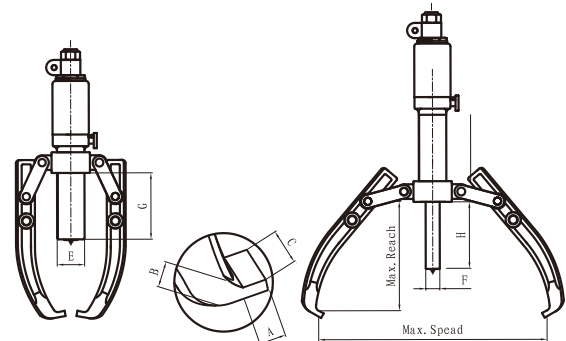


These tools are designed for removing a wide variety of gears, bearings, bushings, pulleys and other press-fitted parts.



Characteristics:

- Use with 2 or 3 jaws.
 - High quality, forged steel jaws and crosshead provide superior reliability and service.
 - Precise hydraulic control allows fast, efficient and safe pulling.
 - High force hydraulic system for effortless pulling of large components.
 - More efficient pulling, as one man can do the job where manual pullers often require two operators.
 - Spring loaded live centering cone.
- 5, 10 and 20 ton sets all contained in a plastic carry case.
30 and 50 ton sets all contained in a robust wooden box.



Model	Output (Ton)	Spread (mm)	Max Reach (mm)	Ram stroke (mm)	Dimensions(mm)						Weight (Kg)	Packing size (cm)
					E	F	G	A	B	C		
HHL-5	5	50-200	140	50	45	23	106	12.5	22.5	26	7.6	42×29×9
HHL-10	10	50-250	170	60	56	26	97	14	30	30	10.1	43×33×11
HHL-20	20	100-350	205	70	78	33	105	21	33.5	33	18.6	44×35×13
HHL-30	30	150-400	220	70	90	38	103	26	36	35	24.2	48×20×18
HHL-50	50	200-500	250	60	114	48	117	25	46	40	42.9	52×25×22

Hydraulic Grip Pullers



Characteristics:

- Use with 3 jaws.
- High quality, forged steel jaws and crosshead provide superior reliability and service.
- Safety Cage' guides jaws, holding them securely onto the part.
- Built-in safety valve prevents overload.
- Precise hydraulic control allows fast, efficient and safe pulling.
- High force hydraulic system for effortless pulling of large components.
- More efficient pulling, as one man can do the job where manual pullers often require two operators.
- Spring loaded live centering cone.

Model	Output (Ton)	Spread (mm)	Max Reach (mm)	Ram stroke (mm)	Weight (Kg)	Packing size (cm)
HHL-5B	5	20-200	160	60	8	42×29×9
HHL-10B	10	20-300	210	80	11	43×33×11
HHL-15B	15	20-360	240	100	19	44×35×13