

TSA Light weight block grab

Working load limit (WLL) 250/500 kg

The TSA block grab is useful for the transport of stone and concrete blocks and other materials with parallel surfaces. The grab has a protective lining to ensure a safe and non-marking transport.

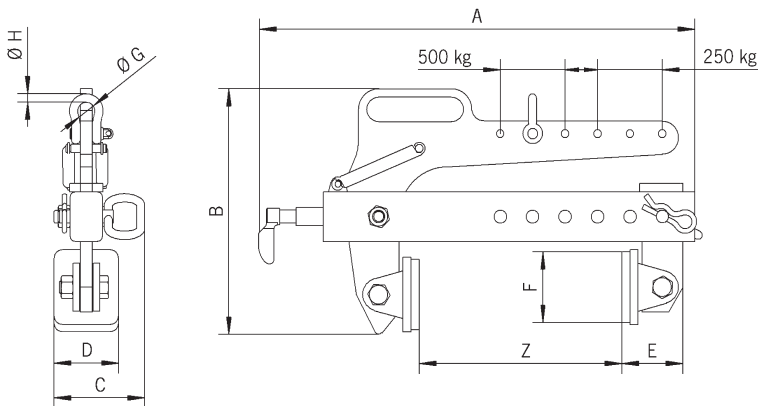
The clamping jaw is easily adjusted by means of the locking pin.

The centre of gravity is adjusted by the position of the shackle.

Product group: I4

INFO

It is important that the surfaces are dry, clean and free of oil and grease.



Technical data TSA

Model	Art.-No.	WLL kg	Jaw capacity mm	Weight kg
TSA500	N52625000	250/500	0 - 240	13.5

Dimensions TSA

Model	TSA500
A, mm	537
B, mm	296
C, mm	112
D, mm	80
E, mm	75
F, mm	85
Ø G, mm	22
Ø H, mm	10