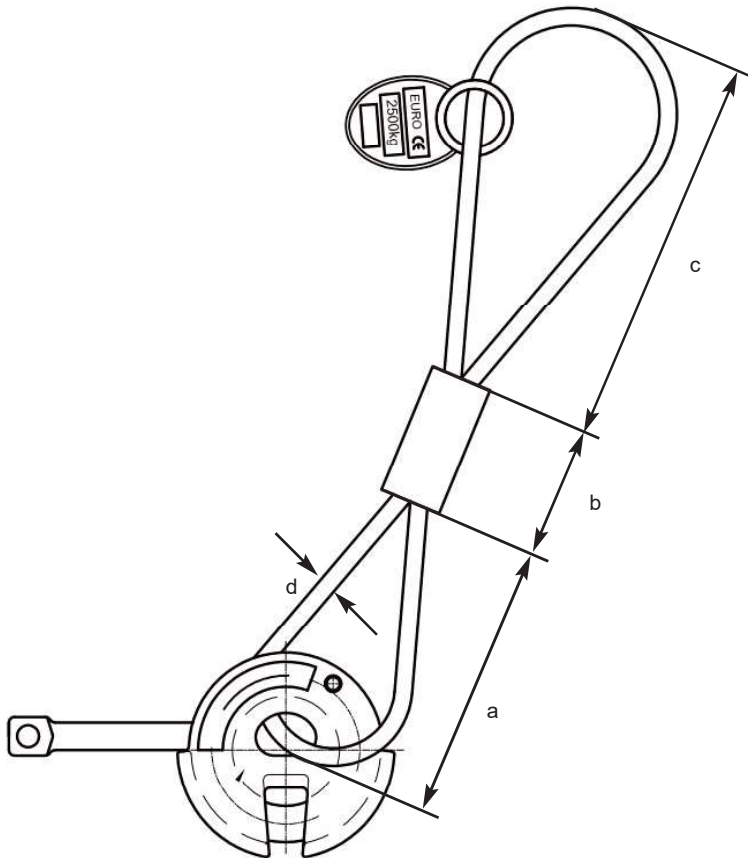


Spread Anchor Combination Ring Clutches

figure 19



The Spread Anchor Combination Ring Clutch is similar in specification to the standard Spread Anchor Ring Clutch, but supplied with a wire rope lifting chain attachment. The wire rope offers greater flexibility when lifting elements with edges that may come into contact with the clutches chain attachment link. Minimising the potential cosmetic damage of the concrete.

table 25

Spread Anchor Combination Ring Clutch Dimensions

Product Code	Load Group Range (tonnes)	a (mm)	b (mm)	c (mm)	d (mm)
LASCRC013	0.7 - 1.25	100	54	176	9
LASCRC025	1.4 - 2.5	120	90	195	14
LASCRC050	3.0 - 5.0	200	100	295	18
LASCRC100	7.5 - 10.0	240	140	325	22

Routine Inspection and Retirement

Spread Anchor Combination Ring Clutches should be inspected before each use by a competent person. The inspection should involve a visual check for obvious defects, deformation of the wire loop or lifter body, cracks and obvious excessive wear. If any of these defects are found the lifting device should be discarded. If the loop has any broken strands it should be discarded. Use of the Spread Anchor Ring Clutch must not commence if any of the identification markings are worn away and no longer visible.

In addition Spread Anchor Combination Ring Clutch should be inspected and tested by a recognised organisation at least every twelve months.