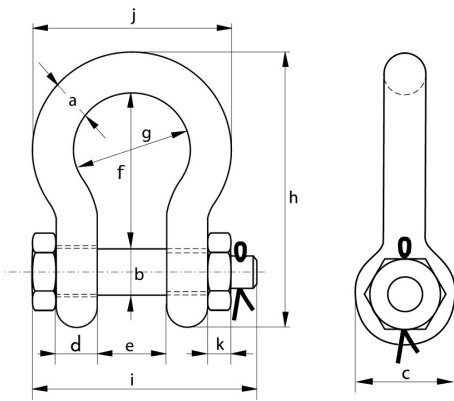




Stainless Steel High Tensile Lifting Shackles

bow with safety bolt



- Material** Stainless steel to EN10088 1.4404 (316L)
- Safety Factor** MBL equals 6 x WLL
- Finish** Polished
- Certification** As standard; EC Declaration of Conformity
Upon request; certificate of basic raw material

WLL	Diameter Bow	Diameter Pin	Width Inside	Length Inside	Width Bow	Product Code	Weight Each
kgs	a mm	b mm	e mm	f mm	g mm		kg
280	6.0	6	13	28	19	91060	0.10
400	8.0	8	16	35	25	91061	0.10
600	9.5	10	19	38	28	91062	0.15
800	11.0	12	22	46	33	91063	0.22
1000	12.7	12	26	52	38	91064	0.35
1500	14.3	16	29	60	43	91065	0.64
2500	16.0	20	32	68	50	91066	0.81
3000	19.0	22	38	76	58	91067	1.25
4000	22.0	24	44	88	66	91068	1.82
4500	25.4	27	50	100	76	91069	2.70