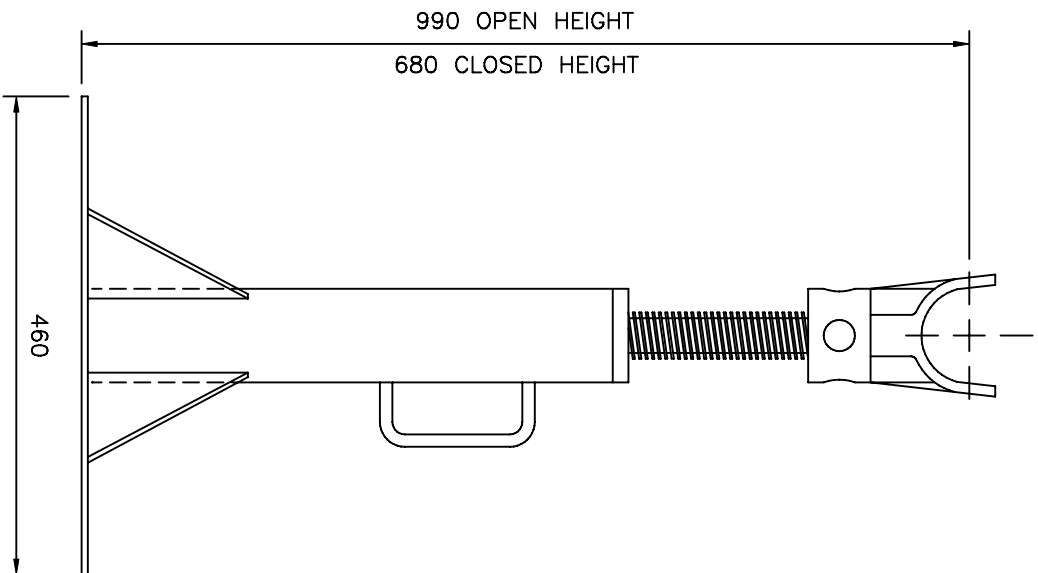


ALL DIMENSIONS IN mm U.O.S.

DO NOT SCALE DRAWING

ALL DIMENSIONS ±1mm U.O.S.



CABLE DRUM JACKS EASY TO HANDLE AND SIMPLE OPERATION.
BASE PLATE DESIGNED TO GIVE STABILITY EVEN ON SOFT GROUND.

BASE AREA 460x300

JACK WEIGHT 22 kg

REV	AMENDMENT	DATE	NAME

TITLE

SJ6 SCREW JACK (6 TONNES)

NAME	S.LAWSON	MAT'L	MILD STEEL	DRG No.	SJ6/4
DATE	6/2/1997	SCALE	1=5		

S.E.B. INTERNATIONAL LTD.
UNITY ROAD,LOWMOOR ROAD INDUSTRIAL ESTATE,
KIRKBY IN ASHFIELD,NOTTS.